



UTILITY PLASTICS

A Featherridge Company



PRODUCT CATALOG 2024

BROADBAND & POWER



A Featherridge Company



ABOUT:

Utility Plastics, LLC is a plastic utility box and vault manufacturing business headquartered in Quitman, Georgia. Our manufacturing facility is in Boiling Springs, SC and Assembly plant in Quitman, GA. Our team of experts has over combined 80 years of experience in the plastic industry, and we are committed to providing high-quality and reliable products to our customers. We use the latest technology and materials to ensure that our products meet the highest standards of quality and durability. We have the shortest lead times in the industry!

COMPETITIVE EDGE:

QUALITY – 100% of the products made by Utility Plastics are made in the USA.

SERVICE – we pride ourselves on our customer service within our internal team or our extended family of manufacturer reps.

COMMITMENT – we are committed to competitive pricing, lead times and loyalty to our end users.



UTILITY PLASTICS

A Featherridge Company



FIBER PEDESTALS	PAGE
• UP-PED-1212	4
• UP-PED-1414	6
• UP-PED-1018	7
PEDESTRIAN GRADE VAULTS	
• UP173018	10
• UP1520	14
• UP1116	16
FLOWERPOTS	
• UP1000	18
ACCESSORIES	
• EMS MARKER	20
TIER 22 VAULTS	21
INDEX	23

UP-PED-1212 SERIES



UP-PED-1212

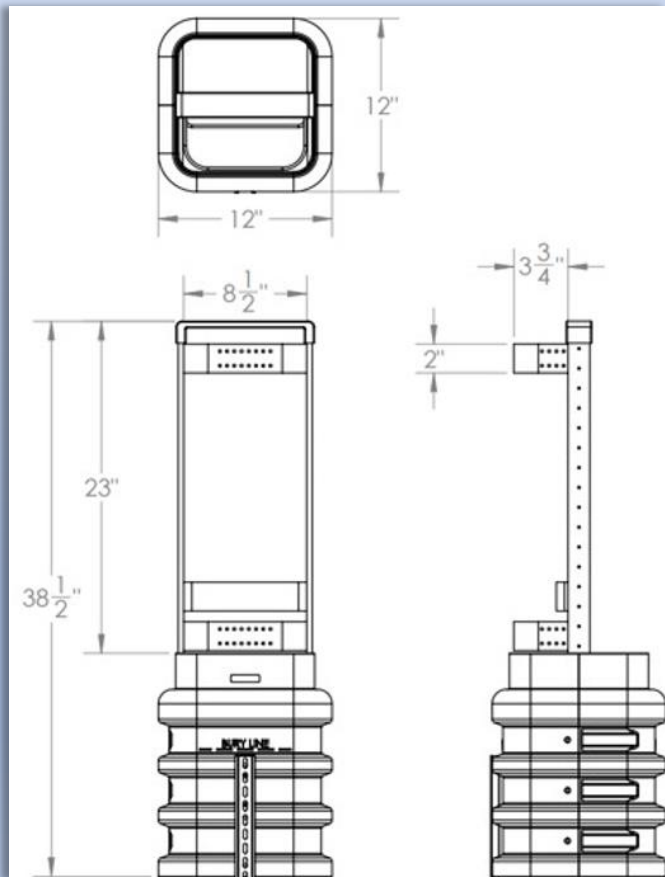
PART NUMBER

- UP-PED-1212**
- UP-PED-1212-001**
- UP-PED-1212-002**
- UP-PED-1212-003**
- UP-PED-1212-004**

DESCRIPTION

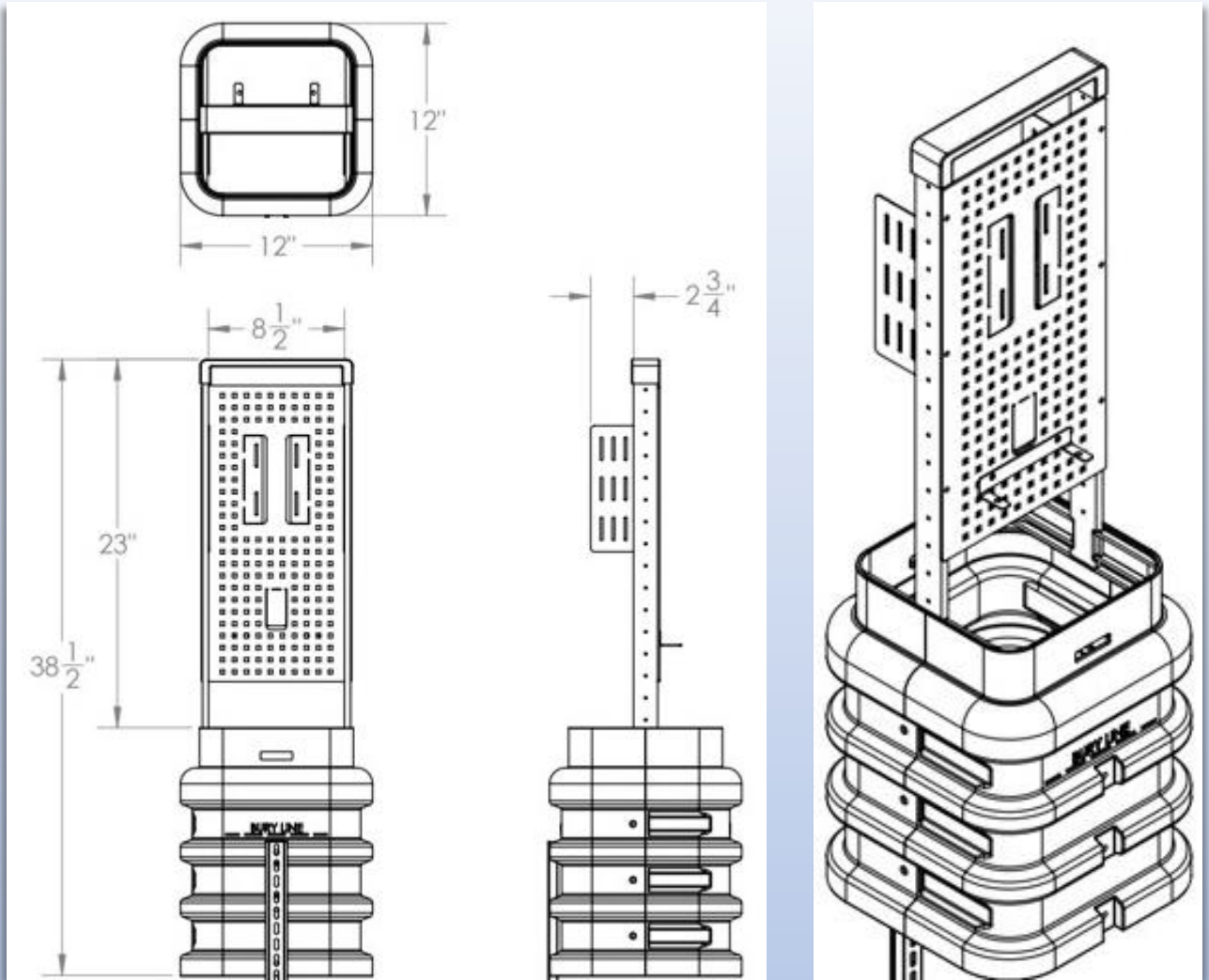
- Standard Base, Tower & Yolk bar
- 1212 with (2) U-guard Inserts
- 1212 with (2) H Bracket inserts
- 1212 w/ Fiber Tray Panel / Center Channel
- 1212 w/ Specialized U-Guards & Clips for NOVUX closure

UP-PED-1212-004 W/ A NOVUX CLOSURE

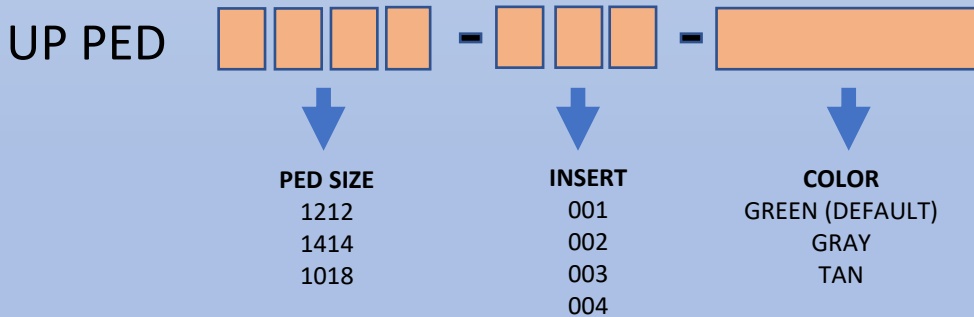


UP-PED-1212-001

UP-PED-1212 SERIES



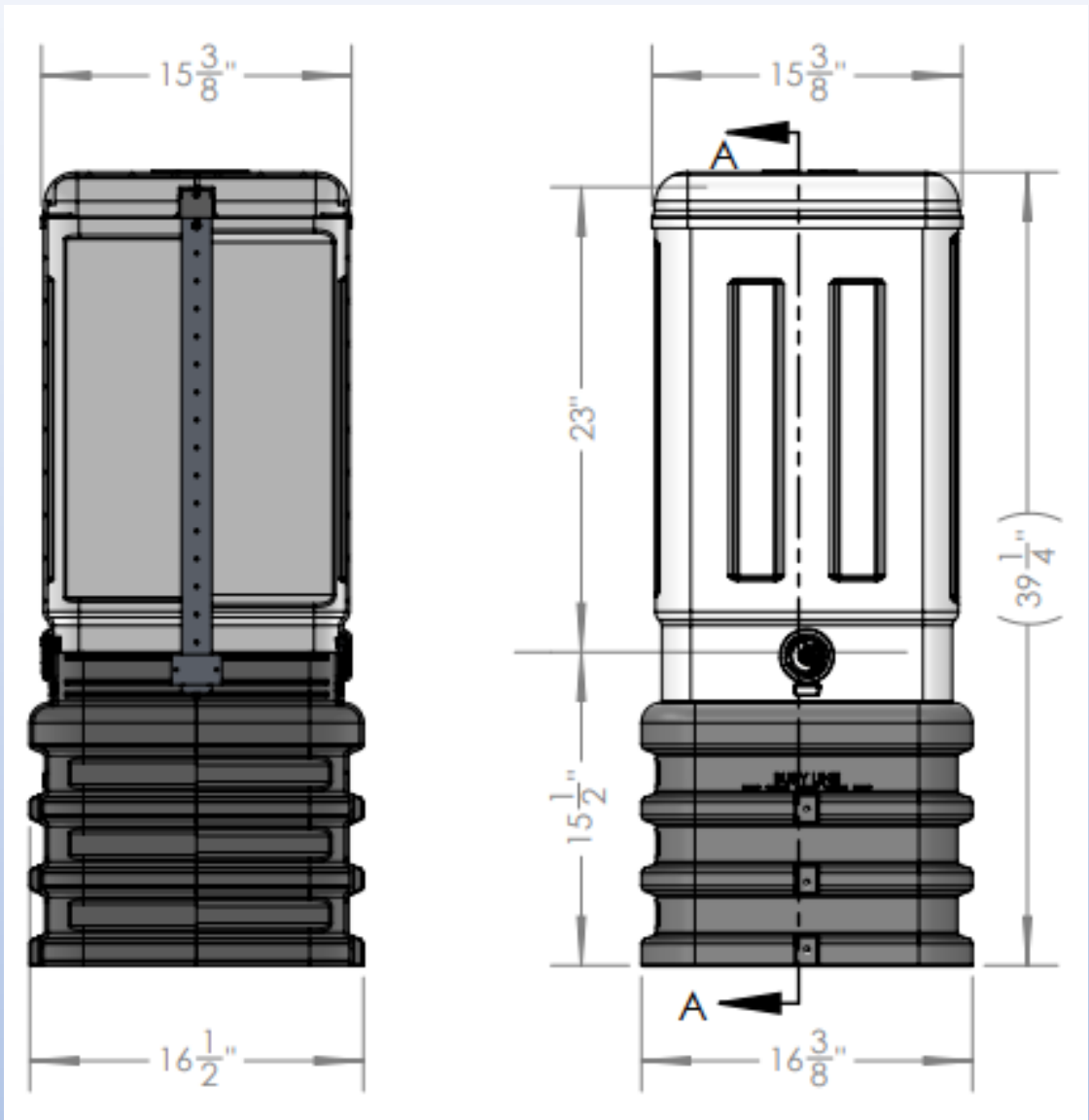
UP-PED-1212-003







EXAMPLE = UP PED 1212-001-GRAY

This would be a 12" X 12" ped with U-guard inserts and gray TOWER & BASE color

UP-PED-1414 SERIES



UP PED 

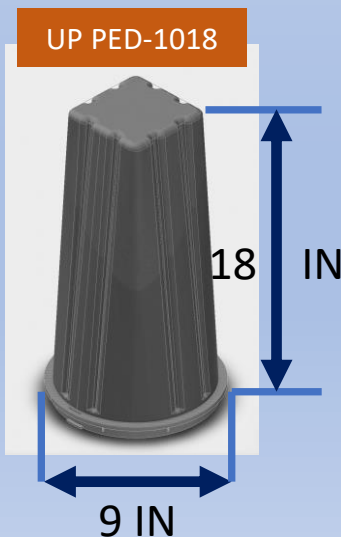
PED SIZE	INSERT	COLOR
1212	001	GREEN (DEFAULT)
1414	002	GRAY
1018	003	TAN
	004	

EXAMPLE = UP PED 1414-001
 This would be a 14" X 14" ped with U-guard inserts

UP-PED-1018 SERIES



- Material: UV Stabilized Polypropylene
- Estimated Weight: 15.3 oz.
- Color Options: Black, Green, Orange, or Gray (Other colors available upon request)
- Snaps into the JD1001 Base
- Easy installation by hand or hand-tools.
- Lockable bolt and type configurations – **Coming Soon (UP-PED-1018-BD1)**



UP-PED-1018 SERIES



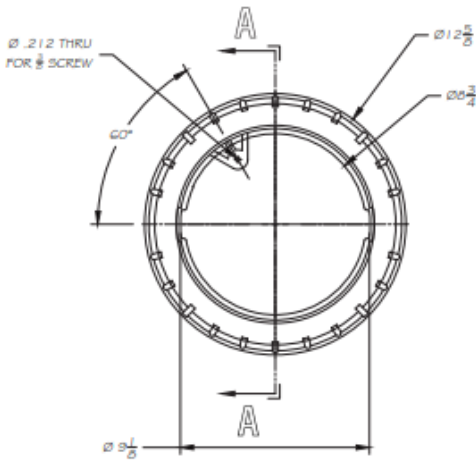
ITEMS SHOWN:

ITEMS SOLD SEPERATELY

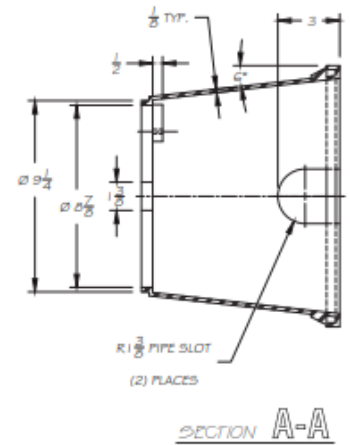
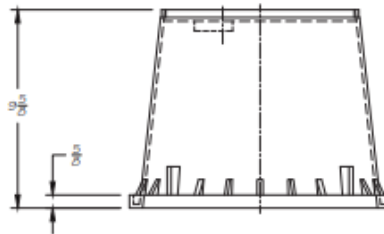
- UP1001 Ships 200 per pallet
- UP-PED-1018 Ships 100 per pallet
- UP-PED STAKE Ships 100 per pallet

UP PED STAKE

42" length, Heavy duty steel with green Telecom grade protective powder coating to match UP-PED



UP1001



UP-PED-1018 SERIES

INSTALLATION PROCEDURE

Call 811 - Know what's below. Call before you dig.



Dig 10" x 10" Hole



Set UP1001 in hole



Pack dirt around UP1001

Drive UP Ped Stake inside of UP1001 and leave 12" above lip of UP1001.



Mount the required splice closure or network component to the UP Ped Stake

UP1730 SERIES

UP173018

17"X30"X18" box and lid assembly with multiple choices of lid designs, colors and bolt configurations



- Material: UV Stabilized Polypropylene
- Estimated Weight: 30 lb. 15.3 oz. plus lid
- Base Color: Black, Green, Purple, or Blue (Other colors available upon request)
- Lid Color: Black, Green, Purple, Blue, Tan & Gray. (Other colors available upon request)
- Custom logos available
- Mouseholes and knockouts for pipe configurations - Mousehole inserts available
- Two UP1731 bases can be fit together to make a 36" deep enclosure.
- ASTM C857: Pedestrian, light duty non-vehicular traffic situations only. Actual load rating varies by box and lid configuration.
- Field modifications with any cutting tool.
- Easy installation by hand or hand-tools.
- Multiple bolt and type configurations.

UP1731 BASE ONLY

DESCRIPTION	BASIC PART #	LID COLOR	LID TYPE	BOLT CONFIG	EMS	ORDERING PART #
17X30X18 BOX W/ GREEN FLUSHMOUNT LID / NON-LOCKING / NO EMS / LOGO	UP173018	GL	F			UP173018-GL-F-LOGO
17X30X18 BOX W/ GREEN FLUSHMOUNT LID / 2 BOLT / NO EMS / LOGO	UP173018	GL	F	2		UP173018-GL-F-2-LOGO
17X30X18 BOX W/ GREEN FLUSHMOUNT LID / 4 BOLT / NO EMS / LOGO	UP173018	GL	F	4		UP173018-GL-F-4-LOGO
17X30X18 BOX W/ GREEN FLUSHMOUNT LID / 4 BOLT / EMS / LOGO	UP173018	GL	F	4	E	UP173018-GL-F-4-E-LOGO

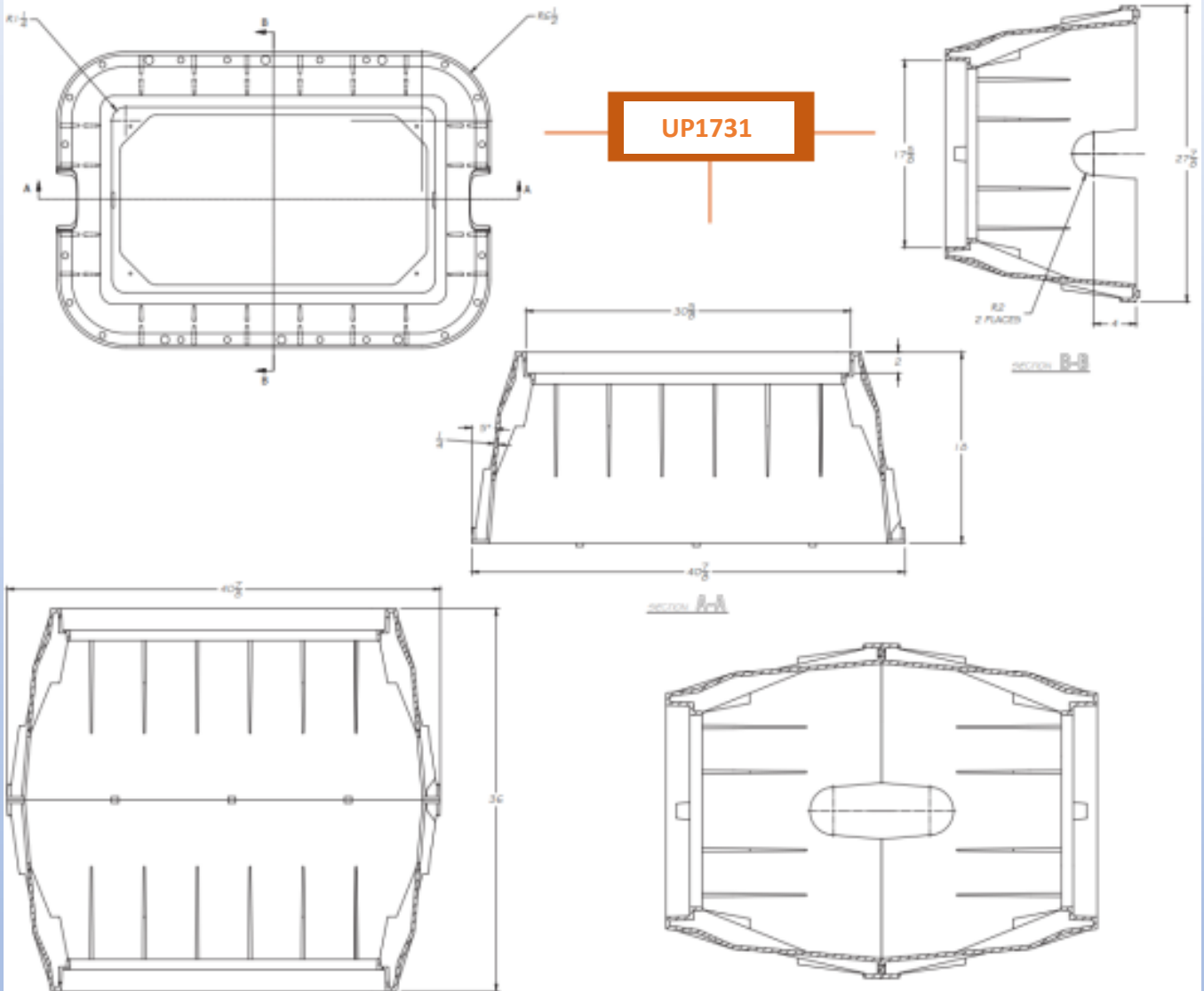
UP1730 SERIES

UP1731

17" X 30" X 18" **BASE ONLY**

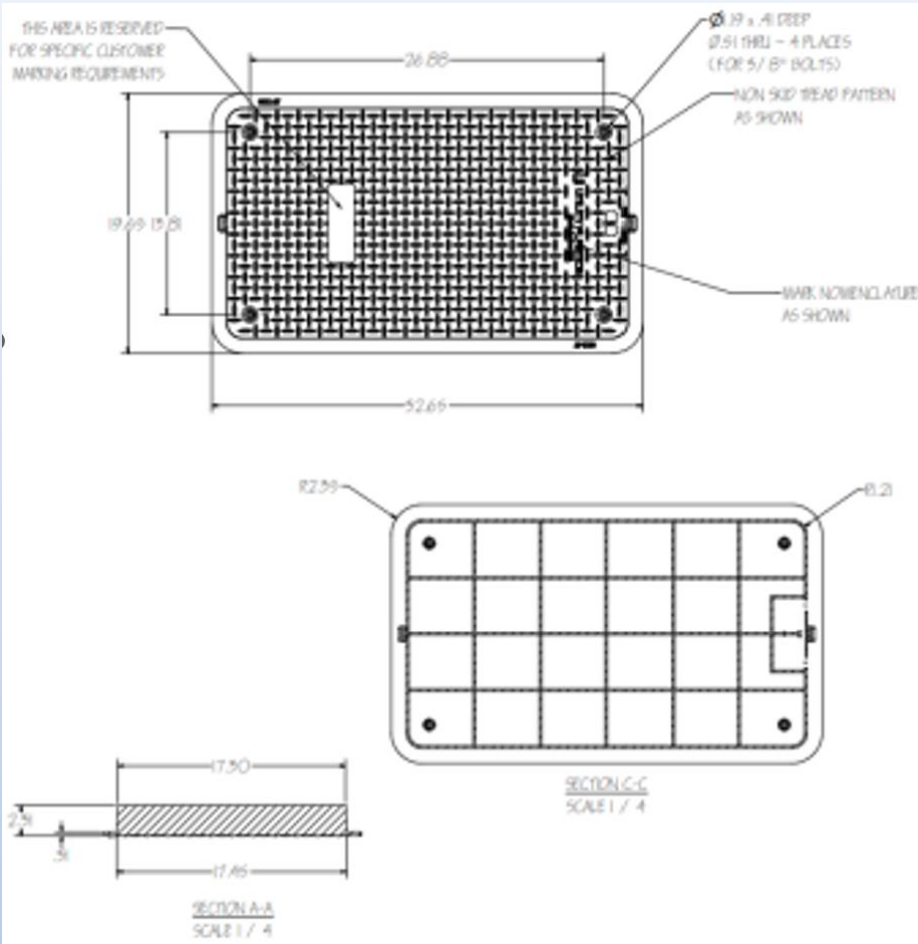
UP173018 - KIT

17" X 30" X 18" KIT ASSEMBLY FOR REVERSE STACKING
HARDWARE INCLUDED IN KIT

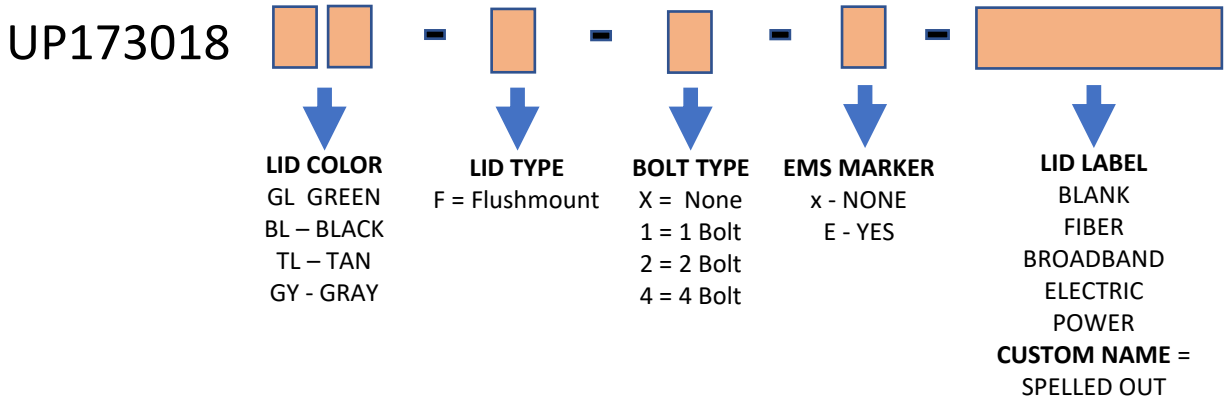


UP1730 SERIES

UP1732GLF



ORDERING GUIDE



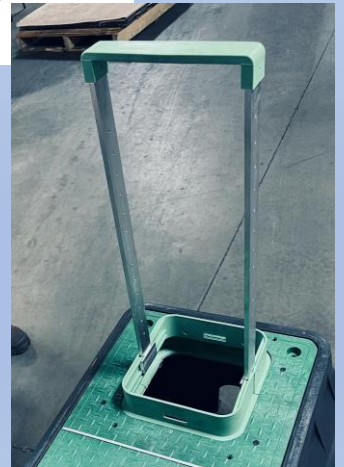
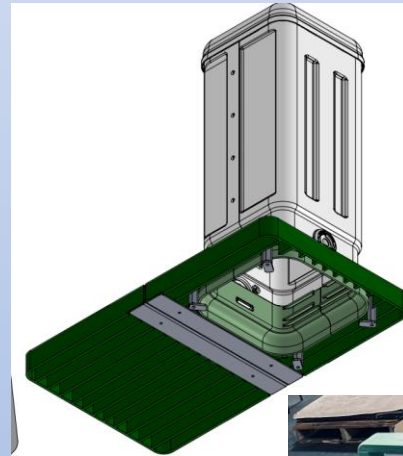
EXAMPLE = UP173018-GL-F-4

This would be a 17" x 30" x 18" BOX Green Flushmount lid w/ 4 locking bolt, no EMS installed and no logo

UP1730 SERIES

DESCRIPTION	BASIC PART #	LID COLOR	LID TYPE	ORDERING PART #
17X30X18 BOX / BASE ONLY	UP173118			UP1731
17X30 / GREEN LID ONLY (FLUSHMOUNT)	UP1732	GL	F	UP1732-GL-F
17X30 / GREEN LID ONLY (OVERLAP)	UP1732	GL	O	UP1732-GL-O
17X30X18 BLACK BOTTOM & ACC BOLTS	UP173118-KIT			UP173018-KIT
17x30x18 MOUSE HOLE INSERT	UP1730-MH-INS			UP1730-MH-INS
1731 BASE W/ SPLIT LID & UP-PED-1212-001				UP1731 W/ SPLIT LID & UP-PED-1212-01

Not all part numbers are listed



UP-1731 W/ SPLIT LID & UP-PED-1212-01

UP1520 SERIES



DIMENSIONS:

FLUSHMOUNT LID =	14" X 19"
OVERLAP LID =	15" X 20"
DEPTH =	12"
FLARED BASE =	20" X 26"

DETAILS:

- Material: UV Stabilized Polypropylene
- Estimated Weight: 8lb. 9 oz. plus 1 lb. 12 oz. lid
- Base Color: Black
- Lid Color: Green, Tan or Gray
- Custom logo available for lid
- NO Mouseholes
- ASTM C857: Pedestrian, light duty nonvehicular traffic situations only. Actual load rating varies by box and lid combination
- Made in the U.S.A.
- Reverse Stackable to gain 24" depth – no hardware needed

UP1521 – BASE ONLY

ALLOWS FOR REVERSE STACK AND GAIN A TOTAL 24" DEPTH.

PART# UP1521

NO HARDWARE NEEDED

SHIPS SEPARATE FROM UP1520

SHIPS 56 PER PALLET



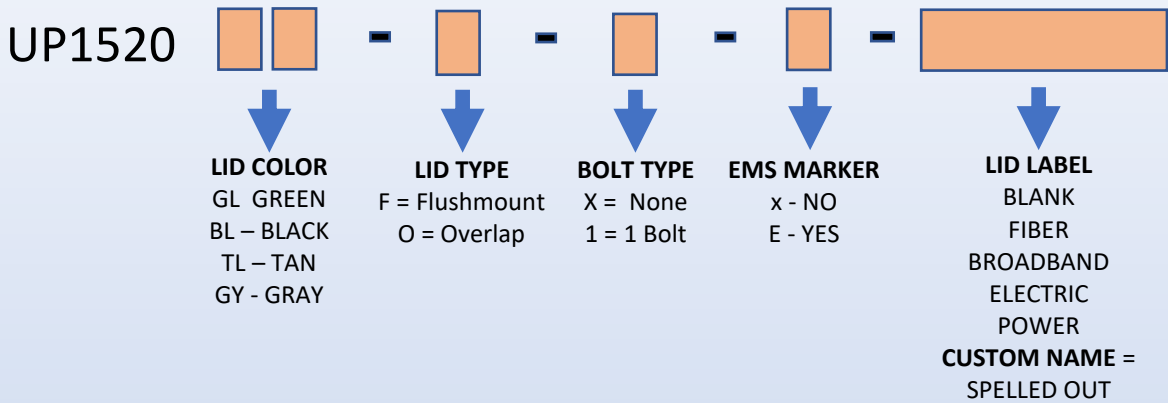
1 BOLT OPTION ON JD1220 – SHOWN ABOVE

DESCRIPTION	BASIC PART #	LID COLOR	LID TYPE	BOLT CONFIG	EMS	ORDERING PART #
15X20X12 BOX W/ GREEN FLUSHMOUNT LID / NON-LOCKING / NO EMS / LOGO	UP1520	GL	F			UP1520-GL-F-LOGO
15X20X12 BOX W/ GREEN OVERLAP LID / NON-LOCKING / NO EMS / BLANK	UP1520	GL	O			UP1520-GL-O
15X20X12 BOX W/ GREEN FLUSHMOUNT LID / LOCKING / NO EMS / LOGO	UP1520	GL	F	1		UP1520-GL-F-1-LOGO
15X20X12 BOX W/ GREEN OVERLAP LID / LOCKING / NO EMS / BLANK	UP1520	GL	O	1		UP1520-GL-O-1
15X20X12 BOX W/ GREEN FLUSHMOUNT LID / LOCKING / EMS / LOGO	UP1520	GL	F	1	E	UP1520-GL-F-1-E-LOGO
15X20X12 BOX W/ GREEN OVERLAP LID / LOCKING / EMS / BLANK	UP1520	GL	O	1	E	UP1520-GL-O-1-E
15X20X12 BOX W/ GREEN FLUSHMOUNT LID / LOCKING / EMS / LOGO	UP1520	GL	F	1	E	UP1520-GL-F-1-E-LOGO

Not all part numbers are listed

UP1520 SERIES

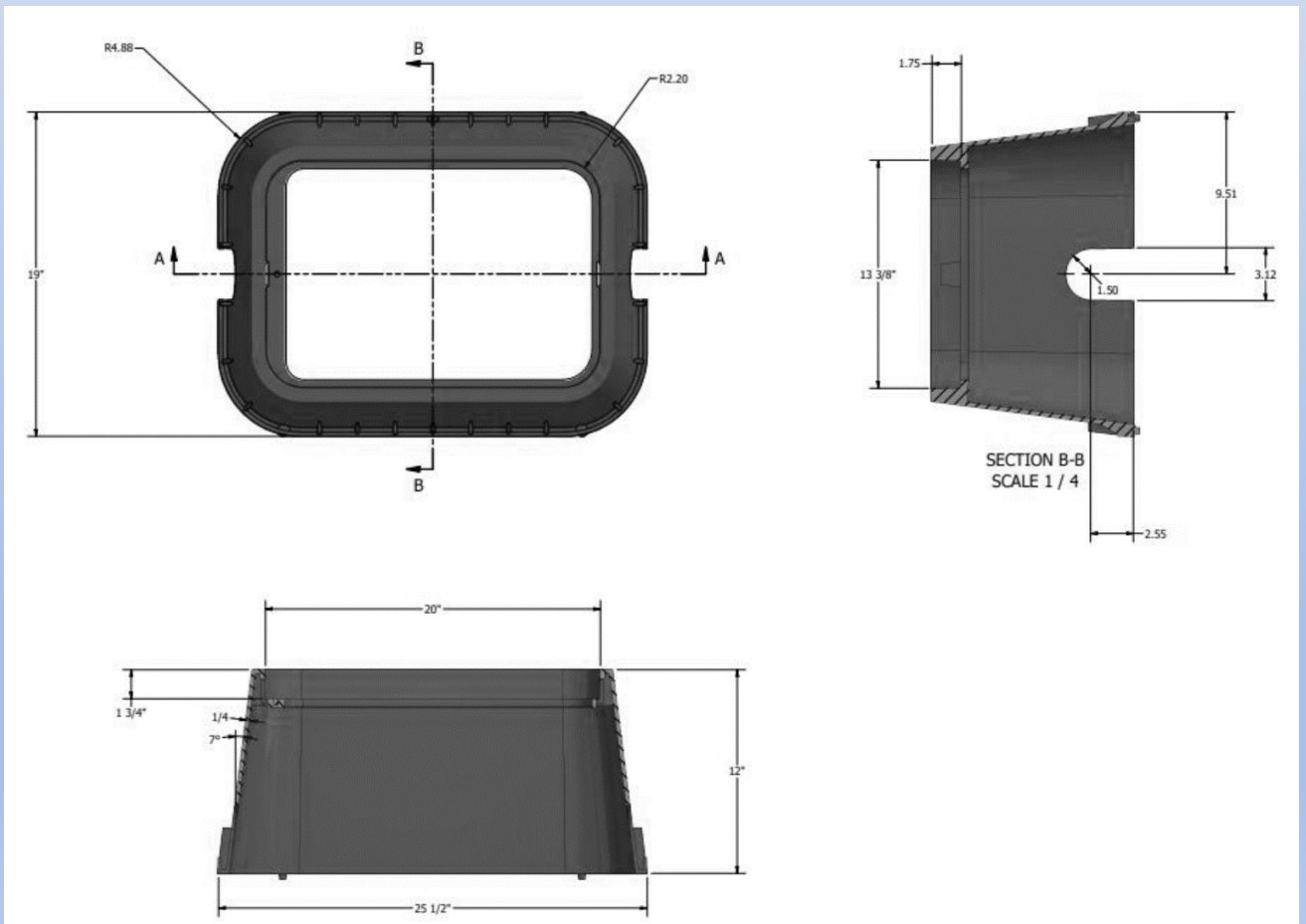
ORDERING GUIDE



EXAMPLE = UP1520-GL-F-1-E-FIBER

This would be a 15" x 20" x 12" BOX Green Flushmount lid w/ locking bolt, EMS installed and Fiber logo

SPECIFICATIONS



UP1116 SERIES

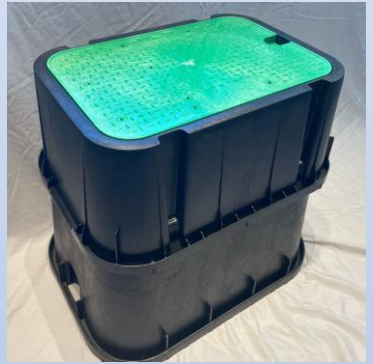


DIMENSIONS:

FLUSHMOUNT LID =	10" X 15"
OVERLAP LID =	11" X 16"
DEPTH =	12"
FLARED BASE =	16" X 21"

DETAILS:

- Material: UV Stabilized Polypropylene
- Estimated Weight: 6 lb. 10 oz. plus 1 lb. 12 oz. lid
- Base Color: Black
- Lid Color: Green, Black, Blue, Purple, Gray, Tan
- Custom logo available to be stamped in lid
- EMS marker available for locating purposes
- Mouseholes and knockouts for pipe configurations
- ASTM C857: Pedestrian, light duty non-vehicular traffic situations only. Actual load rating varies by box and lid combination



UP1116GLF1 Shown above with UP1116-6EXT

NEW FOR 2023!

PART # UP1116-6EXT

6" EXTENSION ALLOWING AN INTERNAL DEPTH OF 18" WHEN INSTALLED ATOP ANY OF THE UP1116 SERIES BOX LINE

NO HARDWARE NEEDED

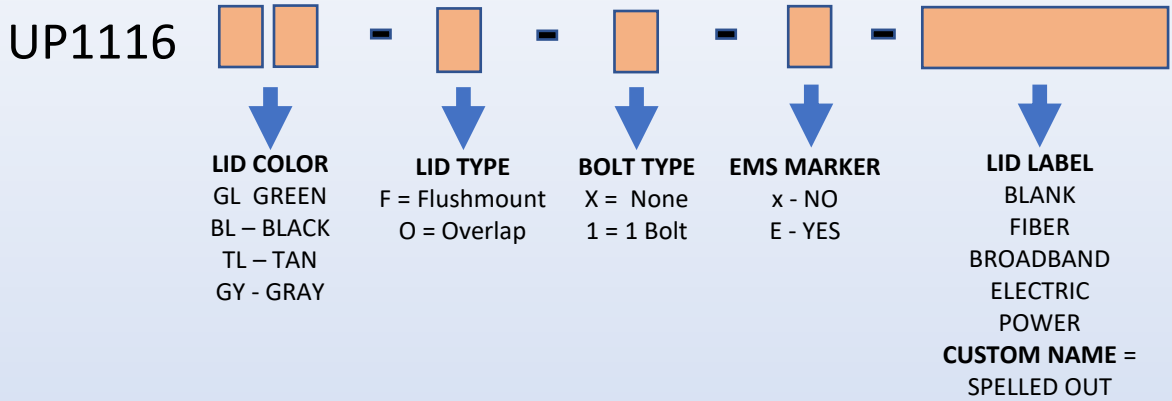
SHIPS SEPARATE FROM UP1116

DESCRIPTION	BASIC PART #	LID COLOR	LID TYPE	BOLT CONFIG	EMS	ORDERING PART #
11X16X12 BOX W/ GREEN FLUSHMOUNT LID / NON-LOCKING / NO EMS / LOGO	UP1116	GL	F			UP1116-GL-F-LOGO
11X16X12 BOX W/ GREEN OVERLAP LID / NON-LOCKING / NO EMS / BLANK	UP1116	GL	O			UP1116-GL-O
11X16X12 BOX W/ GREEN FLUSHMOUNT LID / LOCKING / NO EMS / LOGO	UP1116	GL	F	1		UP1116-GL-F-1-LOGO
11X16X12 BOX W/ GREEN OVERLAP LID / LOCKING / NO EMS / BLANK	UP1116	GL	O	1		UP1116-GL-O-1
11X16X12 BOX W/ GREEN FLUSHMOUNT LID / LOCKING / EMS / LOGO	UP1116	GL	F	1	E	UP1116-GL-F-1-E-LOGO
11X16X12 BOX W/ GREEN OVERLAP LID / LOCKING / EMS / BLANK	UP1116	GL	O	1	E	UP1116-GL-O-1-E

Not all part numbers are listed

UP1116 SERIES

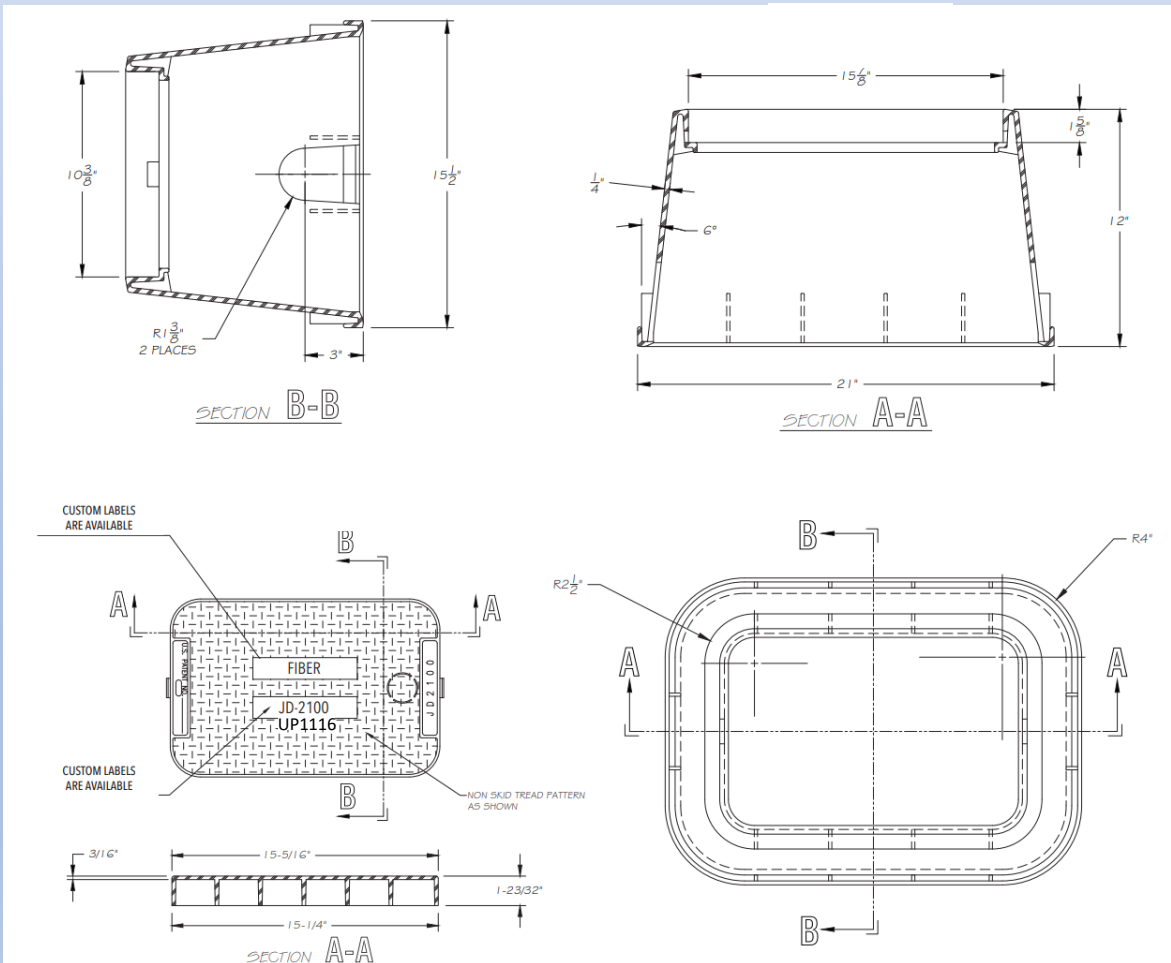
ORDERING GUIDE



EXAMPLE = UP1116-GL-F-E-POWER

This would be a 11" x 16" x 12" BOX Green Flushmount lid w/ no locking bolt, EMS installed and FOWER logo

SPECIFICATIONS

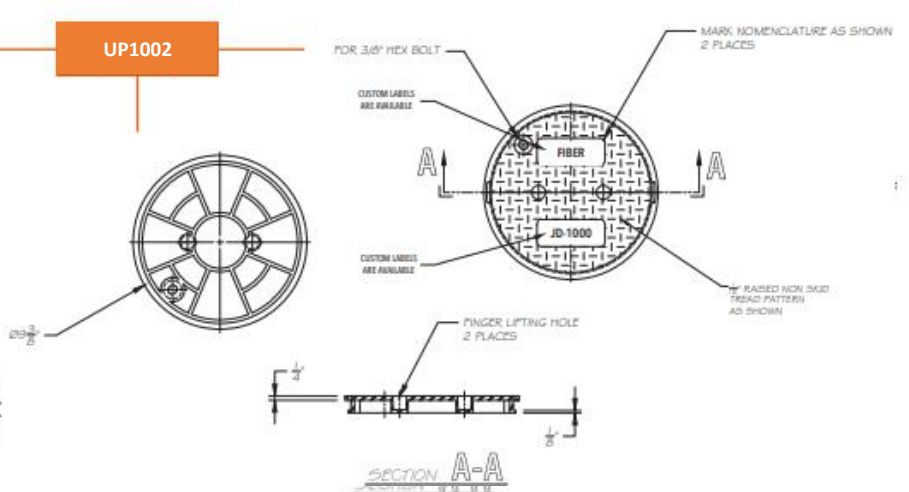
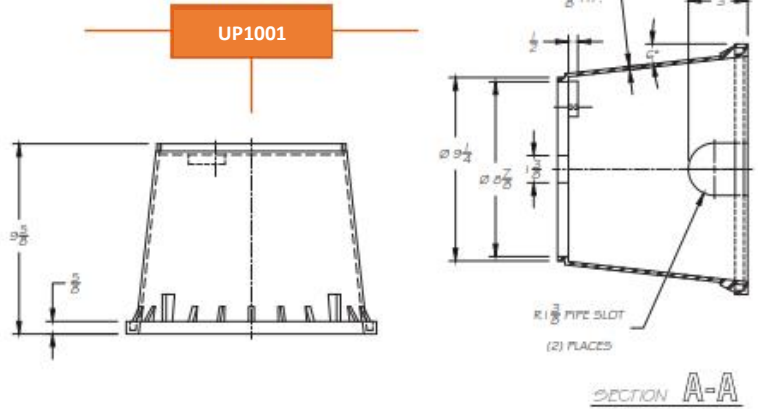
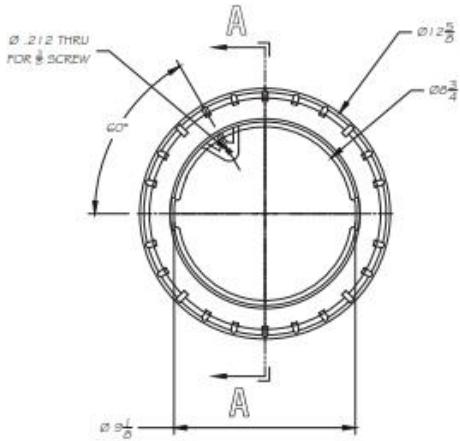


UP1000 SERIES

UP1000 SERIES | FEATURES AND SPECIFICATIONS



- Material: UV Stabilized Polypropylene
- Estimated Weight: 1 lb. 12 oz. plus 0 lb. 9.5 oz
- Base Color: Black
- Lid Color: Green; Also available in Black or Purple upon request
- Reinforced bottom edge for retained shape
- Roller collar for proper fit of lid
- Twist-Lock Lid for preventing mower suction and blade damage
- Mouseholes and knockouts for pipe configurations
- ASTM C857: Pedestrian, light duty non-vehicular traffic situations only. Actual load rating varies by box and lid combination
- Field modifications with any cutting tool



UP1000 SERIES

DESCRIPTION	BASIC PART #	LID TYPE	BOLT CONFIG	EMS	CUSTOM LOGO	ORDERING PART #
10" FLOWERPOT - NO LOGO	UP1000	GL				UP1000-GL
10" FLOWERPOT – W/ LOGO	UP1000	GL			LOGO	UP1000-GL-LOGO
10" FLOWERPOT – LOCKING NO LOGO	UP1000	GL	1			UP1000-GL-1
10" FLOWERPOT – LOCKING / BLANK	UP1000	GL	1		LOGO	UP1000-GL-1-LOGO
10' FLOWERPOT – NO LOCKING & EMS	UP1000	GL		EMS		UP1000-GL-E
10" FLOWERPOT – LOCKING/EMS/ BLANK	UP1000	GL	1	EMS	LOGO	UP1000-GL-1-E-LOGO
10" FLOWERPOT – NO LOCKING / EMS/ LOGO	UP1000	GL		EMS	LOGO	UP1000-GL-E-LOGO
10" FLOWERPOT – LOCKING / NO EMS / LOGO	UP1000	GL	1		LOGO	UP1000-GL-1-LOGO
10" FLOWERPOT – BASE ONLY	UP1001					UP1001
10" FLOWERPOT – LID ONLY	UP1002					UP1002
10" FLOWERPOT LID - HAND TOOL						UP1002-HT
7" FLOWERPOT	UP7000					UP7000-GL
6" FLOWERPOT	UP6000					UP6000-GL

Not all part numbers are listed



UP1000-T8-GY-1-LOGO

TIER 8 RATED / GRAY LID

NEW FOR 2024'



UP10002-HT

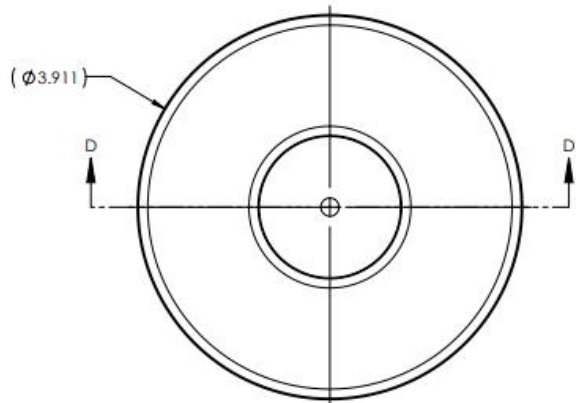
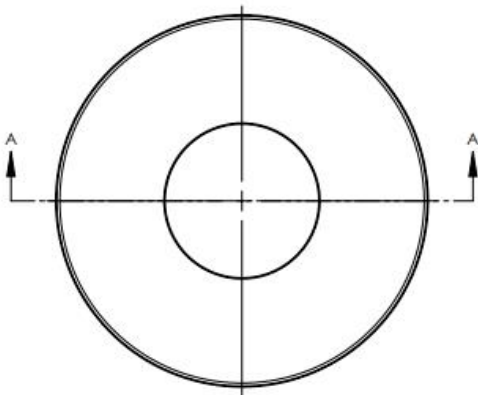
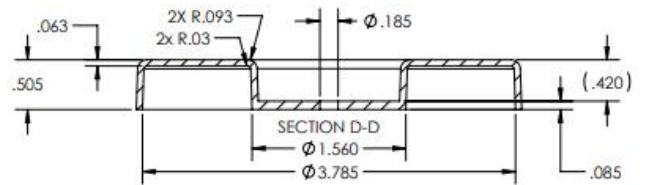
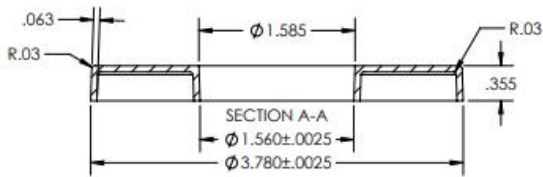
HAND TOOL FOR UP1002 LID

EMS MARKER

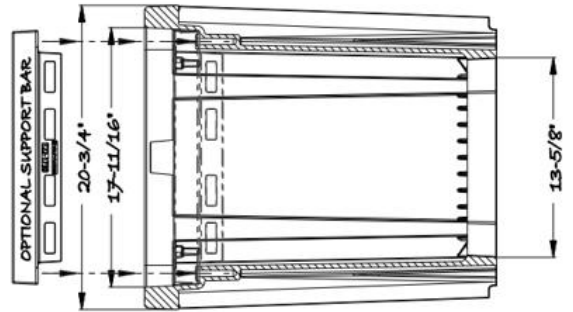
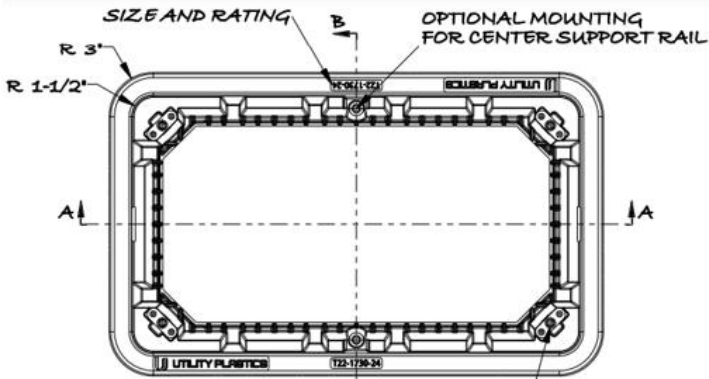


UP-EMS | FEATURES AND SPECIFICATIONS

- Dimensions: 3.780 inch diameter; 0.860 inch height
- Color: Orange
- Burial Depth: 3.5 feet
- Marker Function: Passive
- Marker Range: 3.5 feet

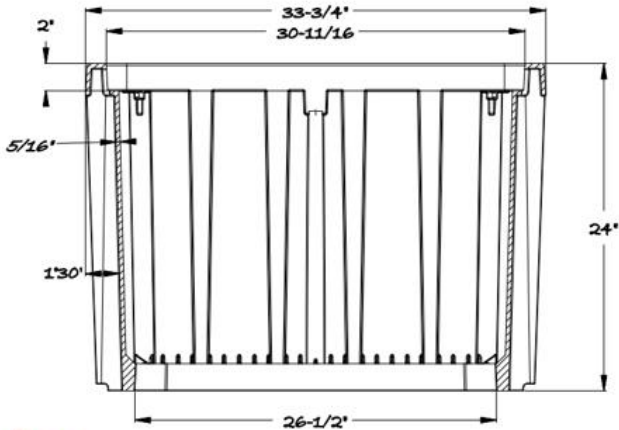


TIER 22 RATED VAULTS

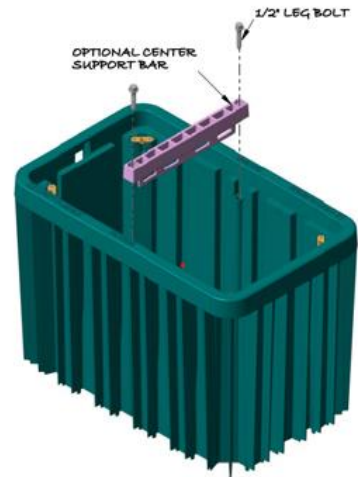


SECTION B-B

1/2-6 METAL MOUNTING BRACKET (4)



SECTION A-A



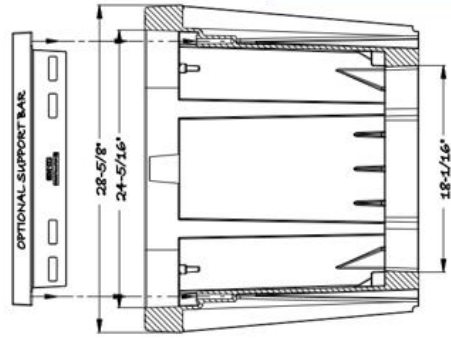
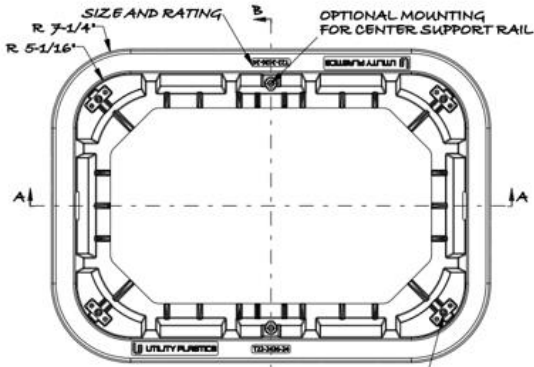
UP173024-T22



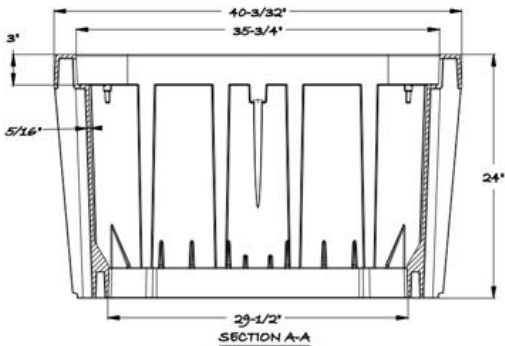
UTILITY PLASTICS

TIER 22 RATED VAULTS

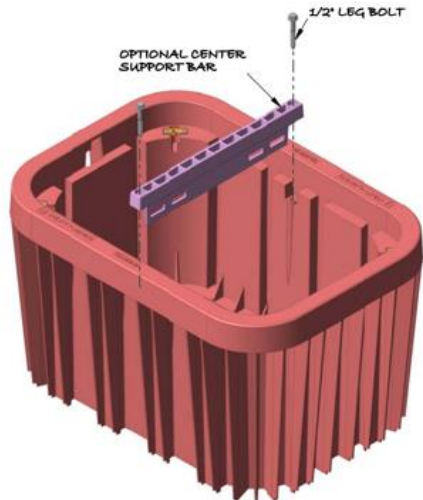
24" X 36" X 24" TIER 22



SECTION B-B



1/2-6 METAL MOUNTING BRACKET (4)



UTILITY PLASTICS

UP242624-T22

INDEX



UTILITY PLASTICS

A Featherridge Company



Utility Plastics - Rectangular Vaults & Flowerpots

LINE-ITEM BUILD

KEY & GUIDE: PART NUMBER - X1 - X2 - X3 - X4

EXAMPLES:

- a. UP1000-GL-1-E-FIBER (UP1000 w/ green lid, standard washer bolt & EMS marker - FIBER)
- b. UP1116-GL-F-BLANK (UP1116 w/ flushmount green lid, no bolting, no marker & BLANK)
- c. UP1520-TL-O-1-E-POWER (UP1520 w/ overlapping tan lid, standard washer bolt & EMS marker - POWER)
- d. UP173018-GL-F4-FIBER (UP173018 w/ flushmount green lid, standard 4 bolts, no EMS marker - FIBER)

Option X1 - Lid style & color

- GL-O - Solid Green Overlapping Lid
- BL-O - Solid Black Overlapping Lid
- TL-O - Solid Tan Overlapping Lid
- GL-F - Solid Green Flush Mount Lid
- BL-F - Solid Black Flush Mount Lid
- TL-F - Solid Tan Flush Mount Lid

Option X2 - Standard washer/bolt or bolt down

- X - No washer & Bolt
- 1 - Standard Washer / Bolt Installed
- 2,4 - Bolt Down Installed (UP173018, UP173024, UP243624 Only)

Option X3 - EMS marker

- X - No EMS Marker
- E - EMS marker

Option X4 - Marking

- X - NO TAG (Blank)

CUSTOM - Customer Name / Logo (Ex. "TELEPHONE, FIBER, POWER, ABC CO")

INDEX

UP6000 Series - 6" FLOWERPOT				
Part No.	Description	Color Box/Cover	Pallet Qty	Weight Each
Box & Cover				
UP6000-GL	6" Round Std Unit, Round Overlapping Cover	Black/Green	384	1.13
UP6000-BL	6" Round Std Unit, Round Overlapping Cover	Black/Black	384	1.13
UP6000-TL	6" Round Std Unit, Round Overlapping Cover	Black/Tan	384	1.13
Cover Only				
UP6002-GL	6" Round Overlapping Cover, Twist Lock	Green		0.25
UP6002-BL	6" Round Overlapping Cover, Twist Lock	Black		0.25
UP6002-TL	6" Round Overlapping Cover, Twist Lock	Tan		0.25
Box Only				
UP6001	6" Round Box Only	Black	384	0.875
UP7000 Series - 7" FLOWERPOT				
Part No.	Description	Color Box/Cover	Pallet Qty	Weight Each
Box & Cover				
UP7000-GL	7" Round Std Unit, Round Overlapping Cover	Black/Green	384	1.29
UP7000-BL	7" Round Std Unit, Round Overlapping Cover	Black/Black	384	1.29
UP7000-TL	7" Round Std Unit, Round Overlapping Cover	Black/Tan	384	1.29
Cover Only				
UP7002-GL	7" Round Overlapping Cover, Snap Lock	Green		0.34
UP7002-BL	7" Round Overlapping Cover, Snap Lock	Black		0.34
UP7002-TL	7" Round Overlapping Cover, Snap Lock	Tan		0.34
Box Only				
UP7001	7" Round Box Only	Black	384	0.95
UP1000 Series - 10" FLOWERPOT				
Part No.	Description	Color Box/Cover	Pallet Qty	Weight Each
Box & Cover				
UP1000-GL	10" Round Std Unit, Round Overlapping Cover	Black/Green	200	2.58
UP1000-BL	10" Round Std Unit, Round Overlapping Cover	Black/Black	200	2.58
UP1000-TL	10" Round Std Unit, Round Overlapping Cover	Black/Tan	200	2.58
Cover Only				
UP1002-GL	10" Round Overlapping Cover, Twist Lock	Green		0.8
UP1002-BL	10" Round Overlapping Cover, Twist Lock	Black		0.8
UP1002-TL	10" Round Overlapping Cover, Twist Lock	Tan		0.8
Box Only				
UP1001	10" Round Box Only		200	1.78
Adders				
1	S.S. 14mm x 1-1/4" Hex Bolt W/ Flg, 1" OD Washer - Installed			
E	EMS Marker - Installed			
Accessories				
SWB1000-ACC	S.S. 14mm x 1-1/4" Hex Bolt W/ Flg, 1" OD Washer (25pack)			
EMS-ACC	EMS Marker Accessory			

INDEX

<u>UP1116 Series - 11" x 16" Rectangular Vault</u>				
<u>Part No.</u>	<u>Description</u>	<u>Color Box/Cover</u>	<u>Pallet Qty</u>	<u>Weight Each</u>
Box & Cover				
UP1116-GL-O	11" x 16" Std Unit, Overlapping Cover	Black/Green	72	10.53
UP1116-BL-O	11" x 16" Std Unit, Overlapping Cover	Black/Black	72	10.53
UP1116-TL-O	11" x 16" Std Unit, Overlapping Cover	Black/Tan	72	10.53
UP1116-GL-F	11" x 16" Std Unit, Flushmount Cover	Black/Green	72	9.39
UP1116-BL-F	11" x 16" Std Unit, Flushmount Cover	Black/Black	72	9.39
UP1116-TL-F	11" x 16" Std Unit, Flushmount Cover	Black/Tan	72	9.39
Cover Only				
UP1116-2-G-O	11" x 16" Overlapping Cover, Solid, Drop In	Green	252	3.34
UP1116-2-B-O	11" x 16" Overlapping Cover, Solid, Drop In	Black	252	3.34
UP1116-2-T-O	11" x 16" Overlapping Cover, Solid, Drop In	Tan	252	3.34
UP1116-2-G-F	11" x 16" Flushmount Cover, Solid, Drop In	Green	252	2.2
UP1116-2-B-F	11" x 16" Flushmount Cover, Solid, Drop In	Black	252	2.2
UP1116-2-T-F	11" x 16" Flushmount Cover, Solid, Drop In	Tan	252	2.2
Box Only				
UP1116-1-B	14" x 19" x 12" Rectangular Box Only	Green	72	7.17
Adders				
1	S.S. 3/8" x 2-1/2" Hex Bolt, 1" OD Washer, Retainer Clip - Installed			
E	EMS Marker Installed			
Accessories				
SWB1116	S.S. 3/8" x 2-1/2" Hex Bolt, 1" OD Washer, Retainer Clip (25pack)			
EMS-ACC	EMS Marker Accessory			
<u>UP1520 SERIES - 15" X 20" Rectangular Vault</u>				
<u>Part No.</u>	<u>Description</u>	<u>Color Box/Cover</u>	<u>Pallet Qty</u>	<u>Weight Each</u>
Box & Cover				
UP1520-GL-O	15" x 20" Std Unit, Overlapping Cover	Black/Green	52	14.03
UP1520-BL-O	15" x 20" Std Unit, Overlapping Cover	Black/Black	52	14.03
UP1520-TL-O	15" x 20" Std Unit, Overlapping Cover	Black/Tan	52	14.03
UP1520-GL-F	15" x 20" Std Unit, Flushmount Cover	Black/Green	56	13.63
UP1520-BL-F	15" x 20" Std Unit, Flushmount Cover	Black/Black	56	13.63
UP1520-TL-F	15" x 20" Std Unit, Flushmount Cover	Black/Tan	56	13.63
Cover Only				
UP1522-GL-O	15" x 20" Overlapping Cover, Solid, Drop In	Green		4.21
UP1522-BL-O	15" x 20" Overlapping Cover, Solid, Drop In	Black		4.21
UP1522-TL-O	15" x 20" Overlapping Cover, Solid, Drop In	Tan		4.21
UP1522-GL-F	15" x 20" Flushmount Cover, Solid, Drop In	Green		3.83
UP1522-BL-F	15" x 20" Flushmount Cover, Solid, Drop In	Black		3.83
UP1522-TL-F	15" x 20" Flushmount Cover, Solid, Drop In	Tan		3.83
Box Only				
UP1521	15" x 20" x 12" Rectangular Box Only	Black	56	9.8
Adders				
1	S.S. 3/8" x 2-1/2" Hex Bolt, 1" OD Washer, Retainer Clip - Installed			
E	EMS Marker Installed			
Accessories				
SWB1520	S.S. 3/8" x 2-1/2" Hex Bolt, 1" OD Washer, Retainer Clip (25pack)			
EMS-ACC	EMS Marker Accessory			

INDEX

UP1730SERIES - 17" X 30" Rectangular Vault				
Part No.	Description	Color Box/Cover	Pallet Qty	Weight Each
Box & Cover				
UP173018-GL-F	17" x 30" Std Unit, Flushmount Cover	Black/Green	10	40
UP173018-BL-F	17" x 30" Std Unit, Flushmount Cover	Black/Black	10	40
UP173018-TL-F	17" x 30" Std Unit, Flushmount Cover	Black/Tan	10	40
Cover Only				
UP1732-GL-F	17" x 30" Flushmount Cover, Solid, Drop In	Green	40	11
UP1732-BL-F	17" x 30" Flushmount Cover, Solid, Drop In	Black	40	11
UP1732-TL-F	17" x 30" Flushmount Cover, Solid, Drop In	Tan	40	11
Box Only				
UP1731	17" x 30" x 18" Rectangular Box Only	Black	10	29
Adders				
2	2 - S.S. 3/8" x 2-1/2" Hex Bolt, 1" OD Washer, Retainer Clip - Installed			
4	4 - S.S. 3/8" x 2-1/2" Hex Bolt, 1" OD Washer, Retainer Clip - Installed			
E	EMS Marker Installed			
Accessories				
SWB1730	S.S. 3/8" x 2-1/2" Hex Bolt, 1" OD Washer, Retainer Clip (25pack)			
EMS-ACC	EMS Marker Accessory			
UP173024 SERIES - 17" X 30" X 24" TIER 22 Rectangular Vault				
Part No.	Description	Color Box/Cover	Pallet Qty	Weight Each
Box & Cover				
UP173024-T22	17" x 30" x 24" Tier 22 Vault, Flushmount Cover (Grey in Color)	Tan / Tan	4	140
Cover Only				
UP1732-T22	17" x 30" Flushmount Cover, Solid, Drop In (Grey in Color)	Tan	20	20
Adders				
2	2 - S.S. 3/8" x 2-1/2" Hex Bolt, 1" OD Washer, Retainer Clip - Installed			
4	4 - S.S. 3/8" x 2-1/2" Hex Bolt, 1" OD Washer, Retainer Clip - Installed			
E	EMS Marker Installed			
Accessories				
SWB1730	S.S. 3/8" x 2-1/2" Hex Bolt, 1" OD Washer, Retainer Clip (25pack)			
EMS-ACC	EMS Marker Accessory			
UP243624 SERIES - 24" X 36" X 24" TIER 22 Rectangular Vault				
Part No.	Description	Color Box/Cover	Pallet Qty	Weight Each
Box & Cover				
UP243624-T22	24" x 36" x 24" Tier 22 Vault, Flushmount Cover (Grey in Color)	Tan / Tan	4	160
Cover Only				
UP2432T22-2	24" x 36" Flushmount Cover, Solid, Drop In (Grey in Color)	Tan	20	30
Adders				
2	2 - S.S. 3/8" x 2-1/2" Hex Bolt, 1" OD Washer, Retainer Clip - Installed			
4	4 - S.S. 3/8" x 2-1/2" Hex Bolt, 1" OD Washer, Retainer Clip - Installed			
E	EMS Marker Installed			
Accessories				
SWB1730	S.S. 3/8" x 2-1/2" Hex Bolt, 1" OD Washer, Retainer Clip (25pack)			
EMS-ACC	EMS Marker Accessory			